



WALL MOUNTED ILLUMINATED WINE RACK
 PORTE-BOUITEILLES ÉCLAIRÉ MONTÉ AU
 PLAFOND (page 5)
 BOTELLERO CON ILUMINACIÓN PARA
 MONTARSE EN EL TECHO (page 9)

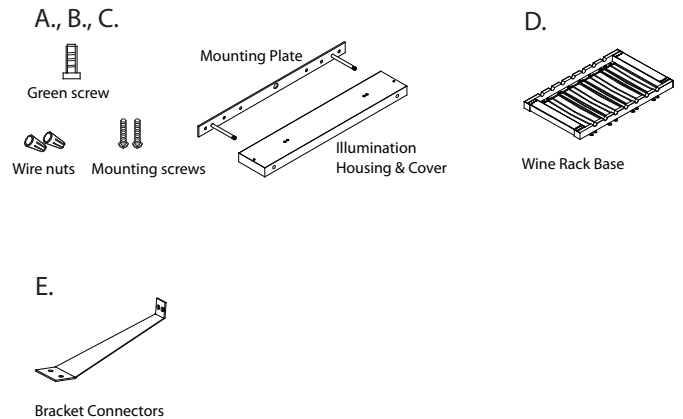
MODEL/MODÈLE/MODELO #P1011



Questions, problems, missing parts? Before returning to your retailer, call our customer service department at 1-800-265-9960, 9 a.m.-5 p.m., EST, Monday-Friday. cs@checkolite.com

PACKAGE CONTENTS

Part	Description	Quantity
A.	Wire Nuts / Mounting Screws / Green Screw	1
B.	Mounting Plate	1
C.	Illumination Housing / Housing Cover	1
D.	Wine Rack Base	1
E.	Bracket Connectors	2



WARNINGS AND CAUTIONS

- TURN OFF ELECTRICITY at main fuse box (or circuit breaker box) before beginning installation by switching circuit breaker off or removing fuse.
- If in doubt about electrical installation, consult a licensed electrician.

PREPERATION

Before beginning **assembly and installation** of product, make sure all parts are present. Compare parts with package contents list and diagram above. If any part is missing or damaged, do not attempt to assemble, install or operate the product. Contact customer service for replacement parts.

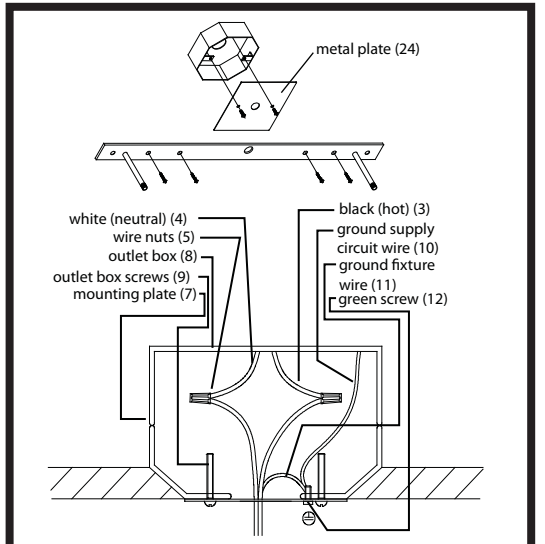
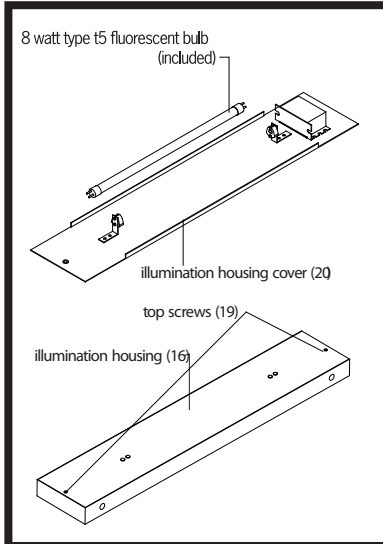
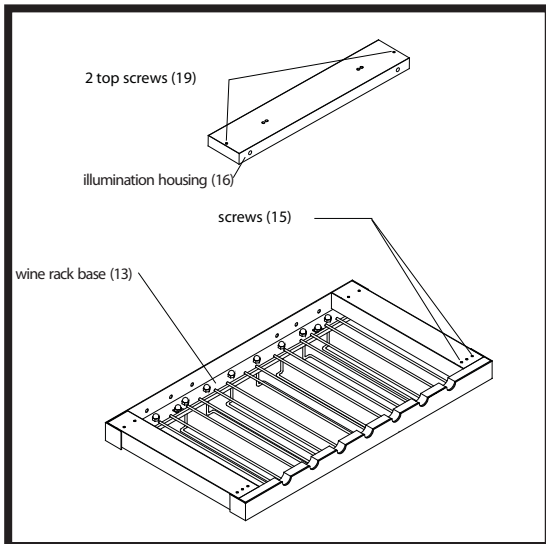
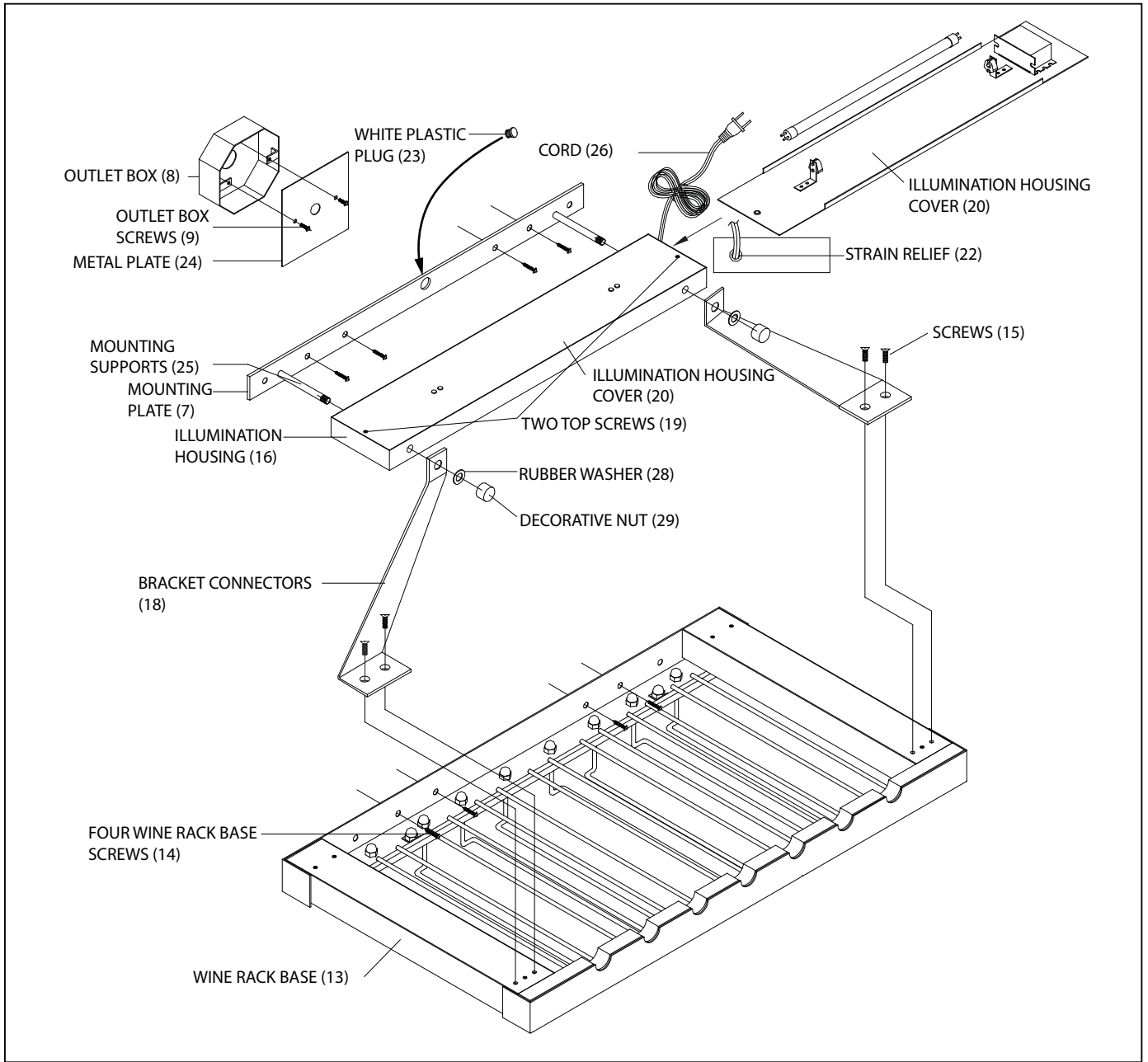
Estimated Assembly Time: 60 minutes

Tools Required for Assembly: **Phillips screwdriver and electrical tape** (not included)

Helpful Tools: **Wire cutter** (not included)

CARE AND MAINTENANCE

- Clean with soft dry cloth. Do not use abrasives.
- Bulb replacement uses 1 x 8 watt type T5 fluorescent bulbs. Shut off power before replacing bulb.



ASSEMBLY AND INSTALLATION INSTRUCTIONS

CORD AND PLUG INSTALLATION INSTRUCTIONS

Step 1: Unscrew two decorative nuts (29) and rubber washers (28) from illumination housing (16). Pull the mounting plate (7) out from the back of the illumination housing (16). Then place mounting plate (7) onto the wall where you wish to display your wine rack. Attach the mounting plate (7) to the wall with four mounting screws (6).

Step 2: Unscrew two top screws (19) of illumination housing cover (20) and take off cover (20). Turn cover (20) over and install 1 x 8 Watt Type T5 Fluorescent Bulb (Included).

Step 3: Re-attach the illumination housing (16) to the mounting plate (7), by simply placing the housing back onto the mounting plate supports (25), but do not fasten until told to do so in Step 5.

Step 4: Place wine rack base (13) on clean flat surface. Unscrew four screws (15) from the front end of the wine rack base edges. The front end of the wine rack base (13) will have slots for the wine bottle necks. Then attach two bracket connectors (18) to wine rack base (13) as follows. Screw bottom wide end of two bracket connectors (18) to wine rack base (13) with two screws (15) each.

Step 5: Firmly holding the wine rack base against the wall, attach front of illumination housing (16) to top thin end of two bracket connectors (18) by placing one rubber washer (28) and one decorative nut (29) each onto protruding nipples of mounting plate supports (25). Screw four wine rack base screws (14) through the back holes in the wine rack base (13) and into the wall. NOTE: To ensure safety and strength, make sure that you screw the four wine rack base screws (14) into the wall structure (i.e. wall beam), as this fixture is very heavy.

HARDWARE INSTALLATION INSTRUCTIONS

Step 1: TURN OFF ELECTRICITY at main fuse box (or circuit breaker box) before beginning installation by switching circuit breaker off or removing fuse.

MIN 60° C SUPPLY CONDUCTORS.

CONSULT A QUALIFIED ELECTRICIAN TO ENSURE CORRECT BRANCH CIRCUIT CONDUCTOR.

Step 2: Attach metal plate (24) to the outlet box (8) with two outlet box screws (9). Unscrew two decorative nuts (29) and rubber washers (28) from illumination housing (16). Pull the mounting plate (7) out from the back of the illumination housing (16). Then place mounting plate (7) over the metal plate (24). Attach the mounting plate (7) to the wall with four mounting screws (6).

Step 3: Unscrew two top screws (19) of illumination housing cover (20) and take off cover (20). Pull approx. 18 inches (457.2mm) of cord into the illumination housing (16) and cut off excess cord (26).

Switch the white plastic strain relief (22) from the side hole of illumination housing into the back middle hole of the illumination housing, and the white plastic plug (23) from the back middle hole into the side hole.

Feed 6 inches of the cord and the ground fixture wire (11) through the plug in the middle hole in the back of illumination housing (16).

Step 4: Install 1 x 8 Watt Type T5 Fluorescent Bulb (Included). Then replace cover (20) back onto illumination housing (16) and fasten with two top screws (19).

Step 5: Strip 3/4 inch of insulation from wire ends of fixture and of supply circuit wires. Attach ground supply circuit wire (10) and ground fixture wire (11) to the mounting plate (7) with the green screw (12) provided. (Alternatively, if there is no ground supply circuit wire, only attach the ground fixture wire (11) to the mounting plate (7) with the green screw (12)). Never connect ground wire to black or white power supply wires. Twist stripped wire ends of fixture and supply circuit wires together black to black (hot) (3) and white to white (neutral) (4). Twist on wire nuts (5). Tape wire nuts and wires together. Carefully tuck connected wires and wire nuts into outlet box.

Step 6: Re-attach the illumination housing (16) to the mounting plate (7) by simply placing the housing back onto the mounting supports (21), but do not fasten until told to do so in Step 8.

Step 7: Place wine rack base (13) on clean flat surface. Unscrew four screws (15) from the front end of the wine rack base edges. The front end of the wine rack base (13) will have slots for the wine bottle necks. Then attach two bracket connectors (18) to wine rack base (13) as follows. Screw bottom wide end of two bracket connectors (18) to wine rack base (13) with two screws (15) each.

Step 8: Firmly holding the wine rack base against the wall, attach front of illumination housing (16) to top thin end of two bracket connectors (18) by placing one rubber washer (28) and one decorative nut (29) each onto protruding nipples of mounting plate supports (25). Screw four wine rack base screws (14) through the back holes in the wine rack base (13) and into the wall. NOTE: To ensure safety and strength, make sure that you screw the four wine rack base screws (14) into the wall structure (i.e. wall beam), as this fixture is very heavy.

TROUBLESHOOTING

Problem	Possible Cause	Corrective Action
Bulb won't light.	<ol style="list-style-type: none"> 1. Bulb is burnt out. 2. Power is off. 3. Faulty wire connection 4. Faulty wall on/off switch 	<ol style="list-style-type: none"> 1. Replace light bulbs. 2. Check if power supply is on. 3. Check wiring. 4. Test or replace wall on/off switch

WARRANTY

Checkolite International Inc, a New Jersey Corporation, having its principal place of business at 142 Charles St., Jersey City, NJ 07307 (Checkolite) warrants its products (the "Products") as follows:

1. Limited Warranty.

Manufacturer warrants that the Products sold hereunder will be free from defects in material and workmanship for a period of one (1) year from the date of purchase. If the Products do not conform to this Limited Warranty during the warranty period (as herein above specified), Buyer shall notify Manufacturer in writing of the claimed defects and demonstrate to Manufacturer's satisfaction that said defects are covered by this Limited Warranty. If the defects and proof of purchase are properly reported to Manufacturer within the warranty period, and the defects are of such type and nature as to be covered by this warranty, Manufacturer shall, at its own expense, furnish replacement Products or, at Manufacturer's option, replacement parts for the defective Products. Shipping and installation of the replacement Products or replacement parts shall be at Buyer's expense.

2. Exclusive Obligation.

THIS WARRANTY IS EXCLUSIVE. The sole and exclusive obligation of Manufacturer shall be to repair or replace the defective Products in the manner and for the period provided above. Manufacturer shall not have any other obligation with respect to the Products or any part thereof, whether based on contract, tort, strict liability or otherwise. Under no circumstances, whether based on this Limited Warranty or otherwise, shall Manufacturer be liable for incidental, special, or consequential damages.

3. Other Statements.

Manufacturer's employees or representatives' ORAL OR OTHER WRITTEN STATEMENTS DO NOT CONSTITUTE WARRANTIES, shall not be relied upon by Buyer, and are not a part of the contract for sale or this limited warranty.

4. Entire Obligation.

This Limited Warranty states the entire obligation of Manufacturer with respect to the Products. If any part of this Limited Warranty is determined to be void or illegal, the remainder shall remain in full force and effect.

REPLACEMENT PARTS LIST

For replacement parts, call our customer service department at 1-800-265-9960, 9 a.m.-5 p.m., EST, Monday-Friday.

Part	Description
14	Wine Rack Base Screws
15	Screws
18	Bracket Connectors
19	Top Screws
22	Strain Relief
23	White Plastic Plug
28	Rubber Washer
29	Decorative Nut

